

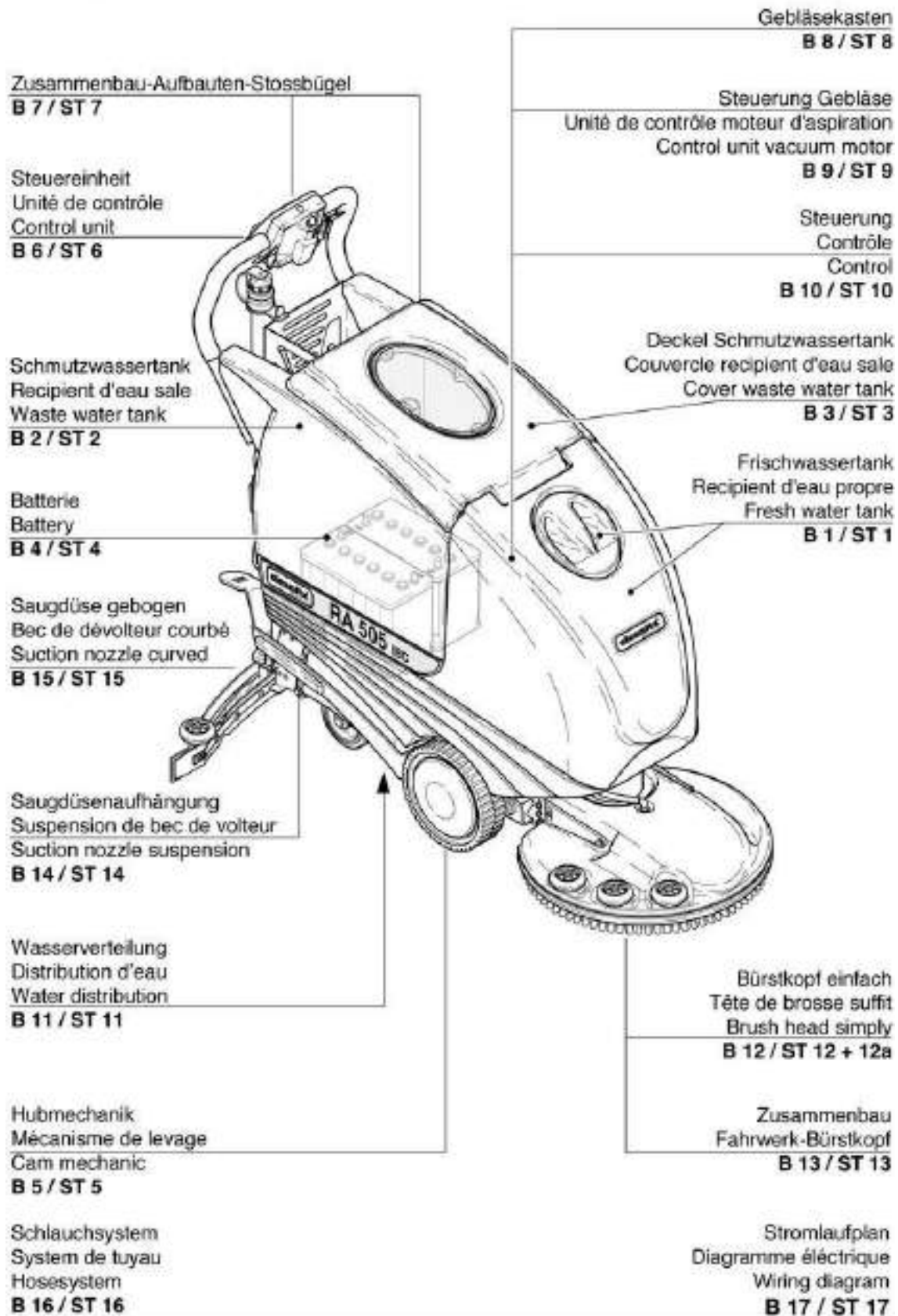
RA 505 IBC

Contents

Stand: 31.03.2017 18:01



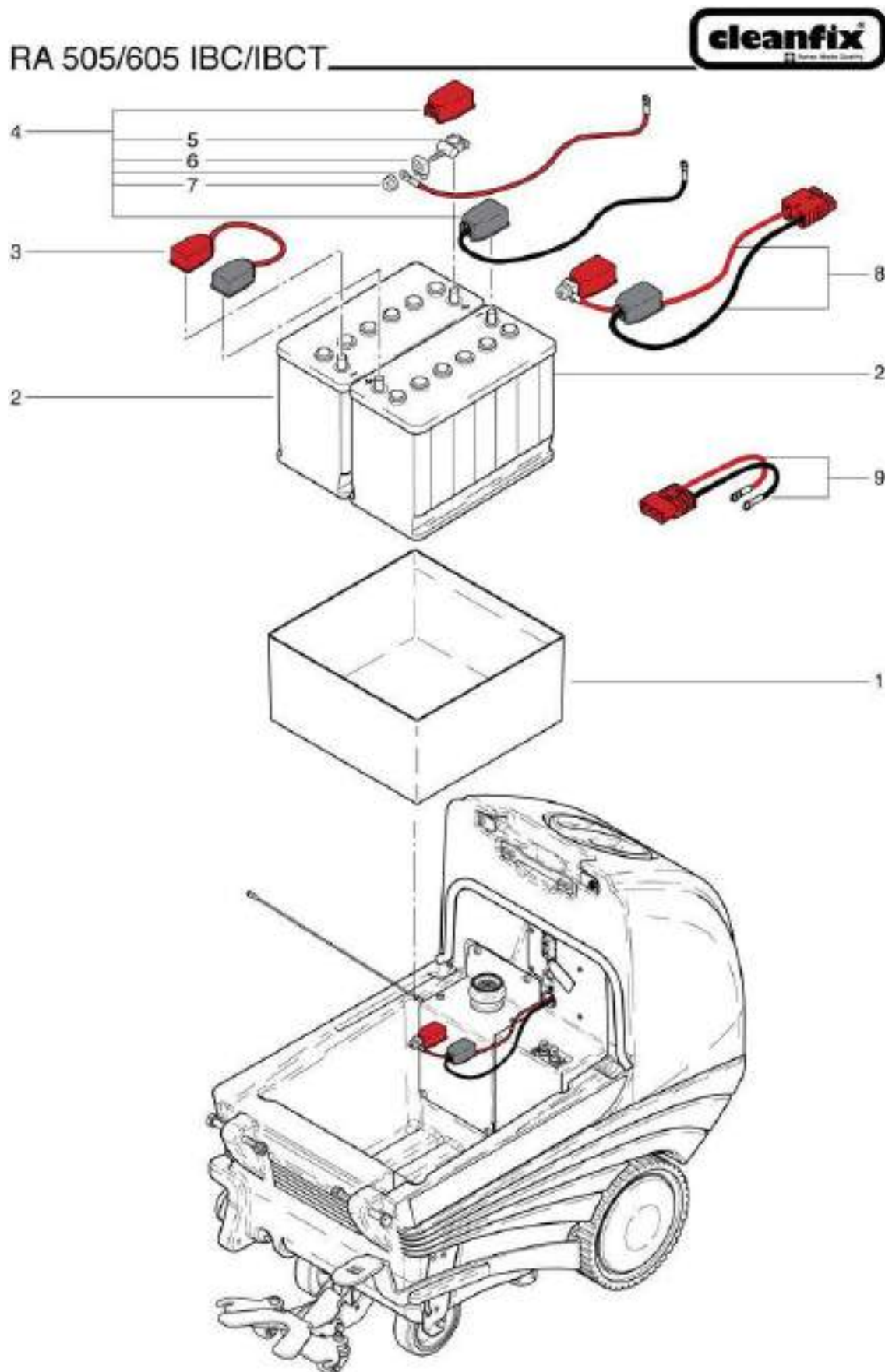
RA 505 IBC



RA 505 IBC

Batterie

Stand: 31.03.2017 18:02

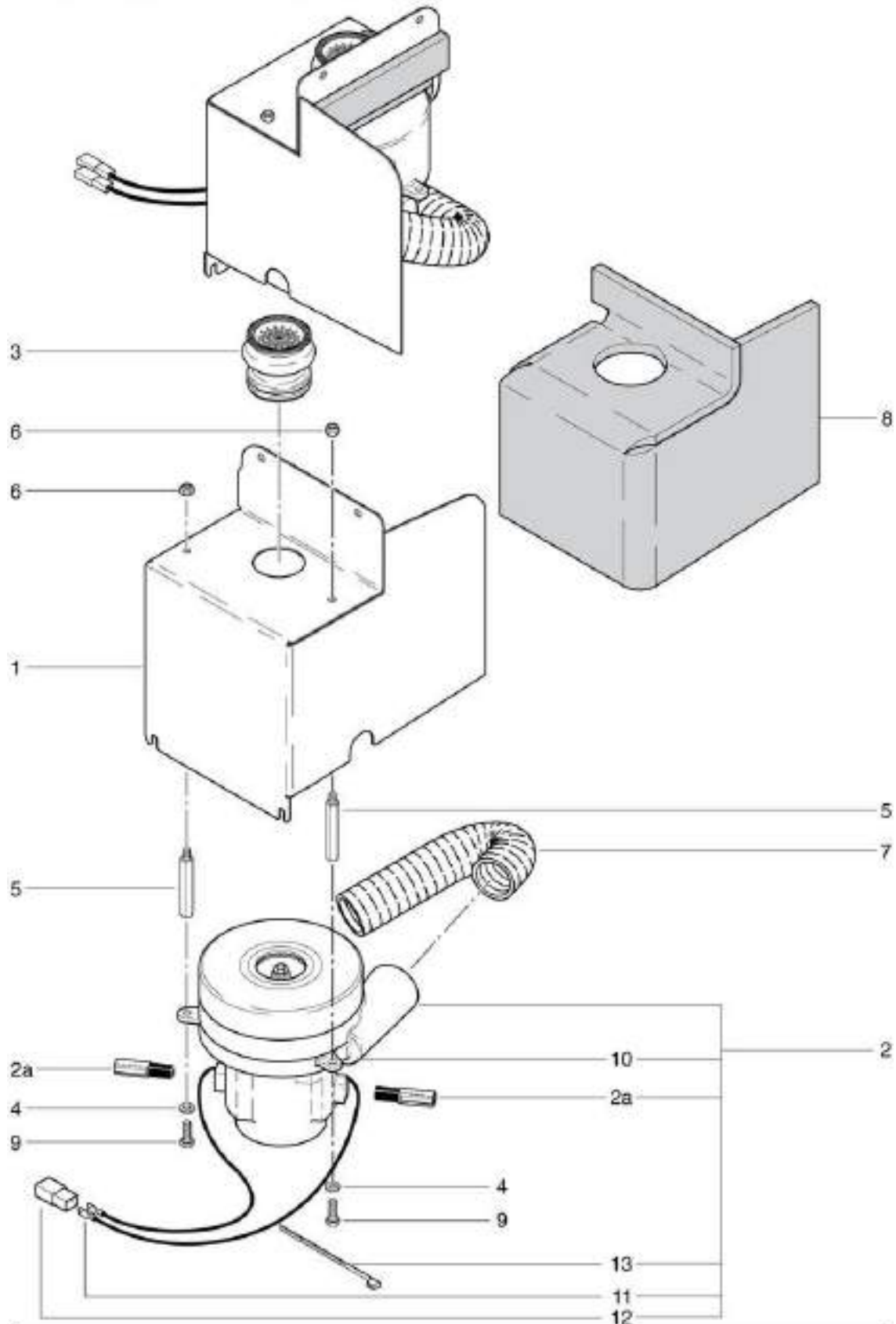


RA 505 IBC

blower box

Stand: 31.03.2017 18:03

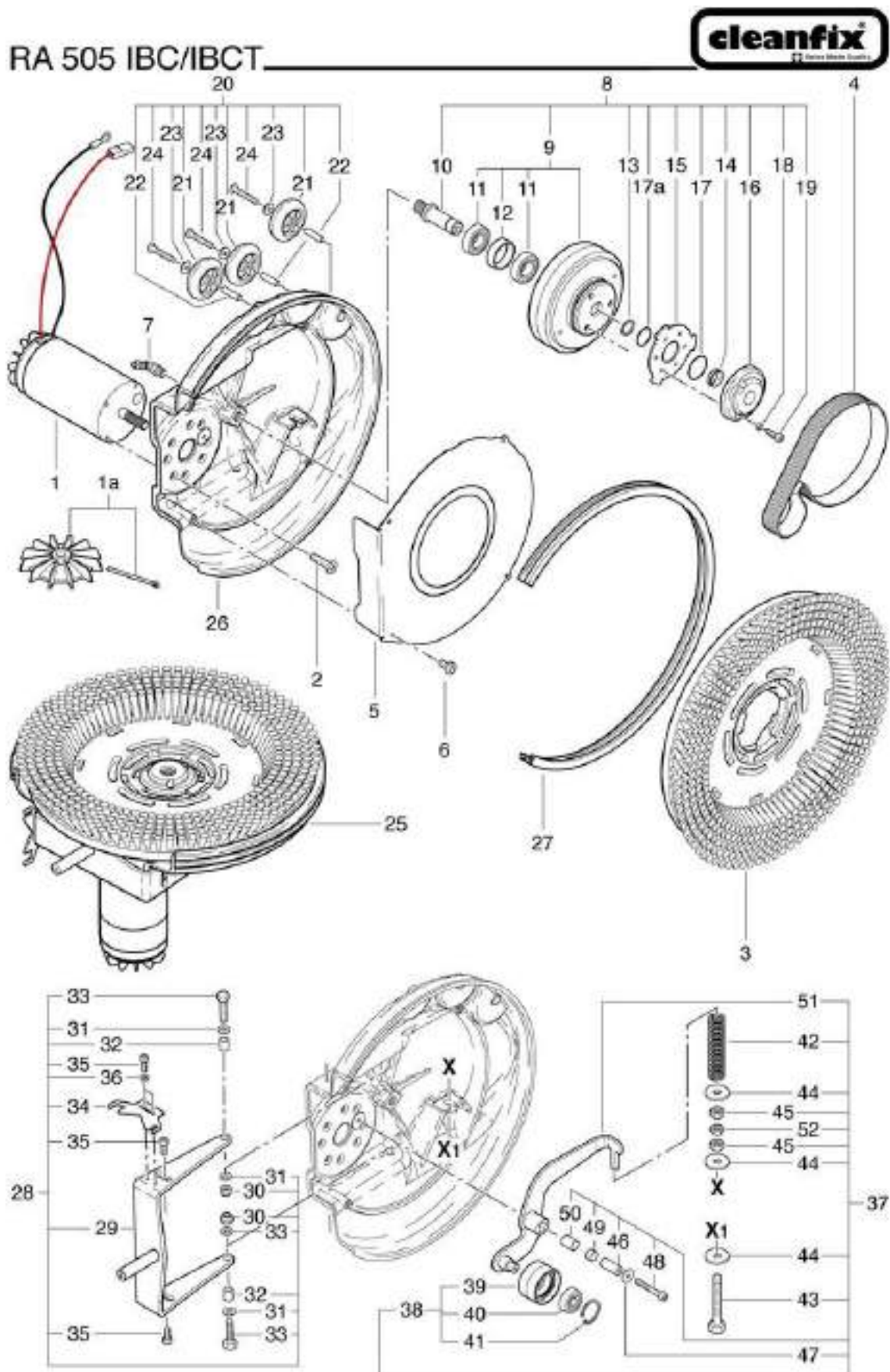
RA 505/605 IBC/IBCT



RA 505 IBC

Brush head

Stand: 31.03.2017 18:04

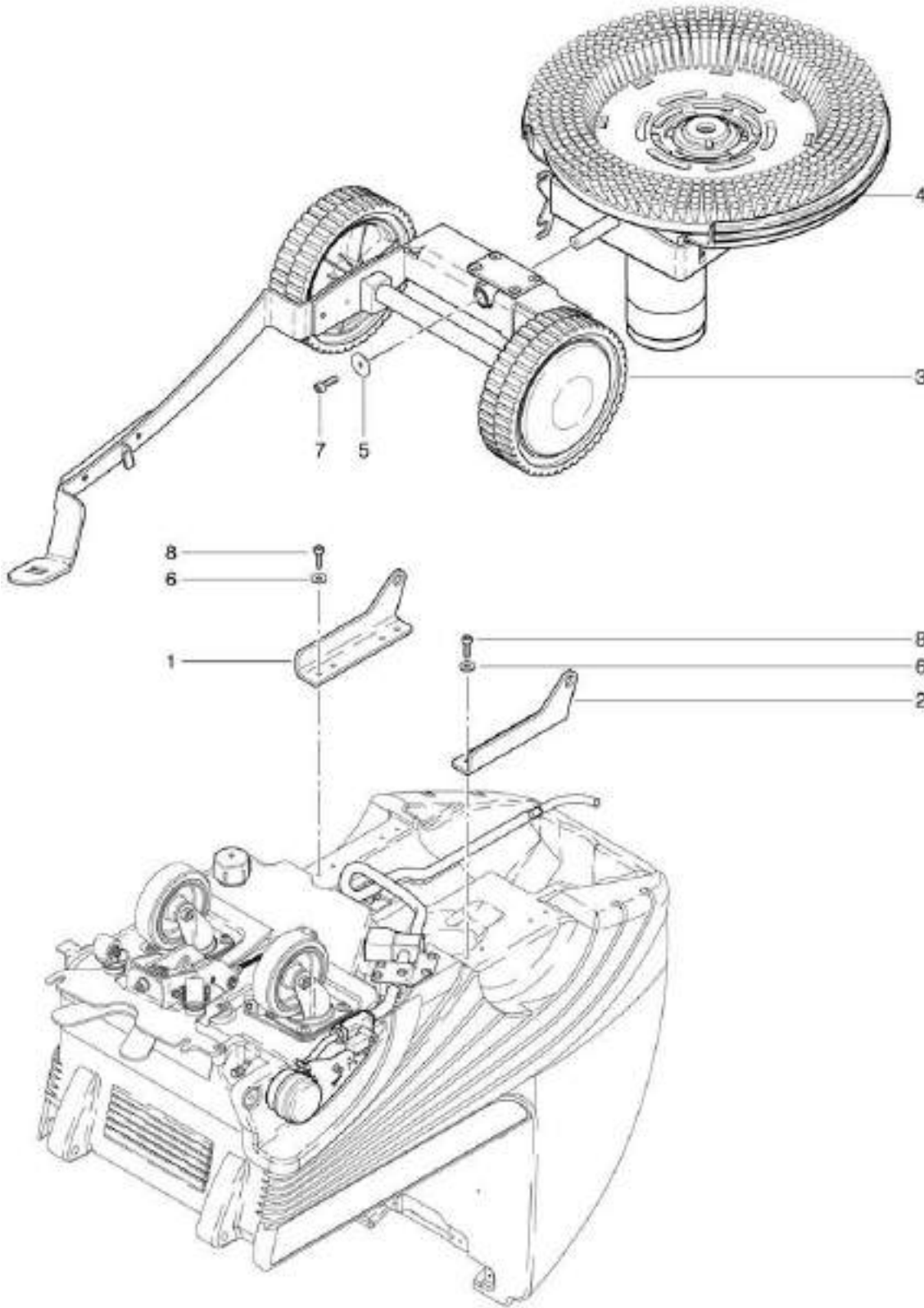


RA 505 IBC

Chassis assembly brush head

Stand: 31.03.2017 18:05

RA 505 IBC



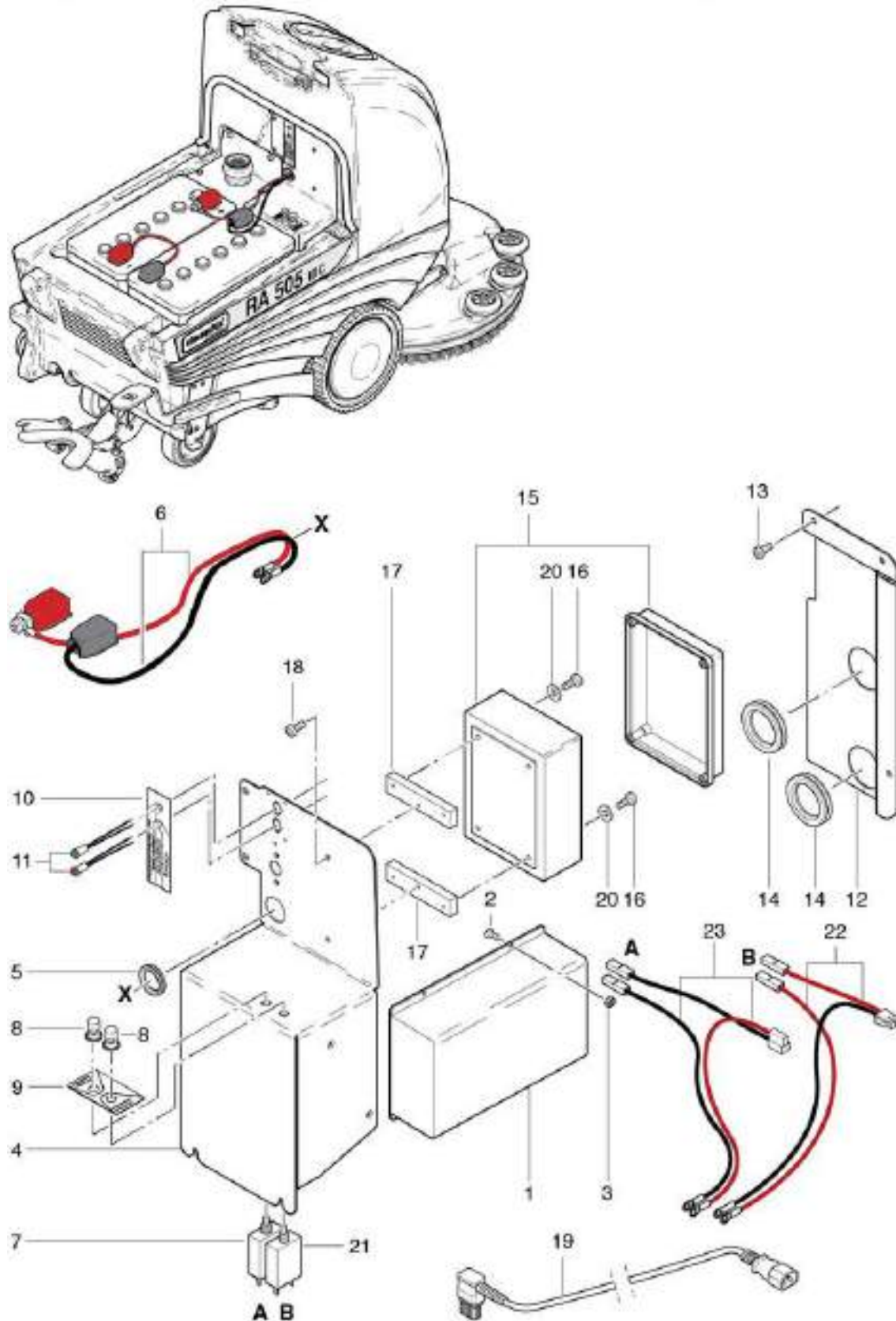
RA 505 IBC

Control

Stand: 31.03.2017 18:03



RA 505 IBC



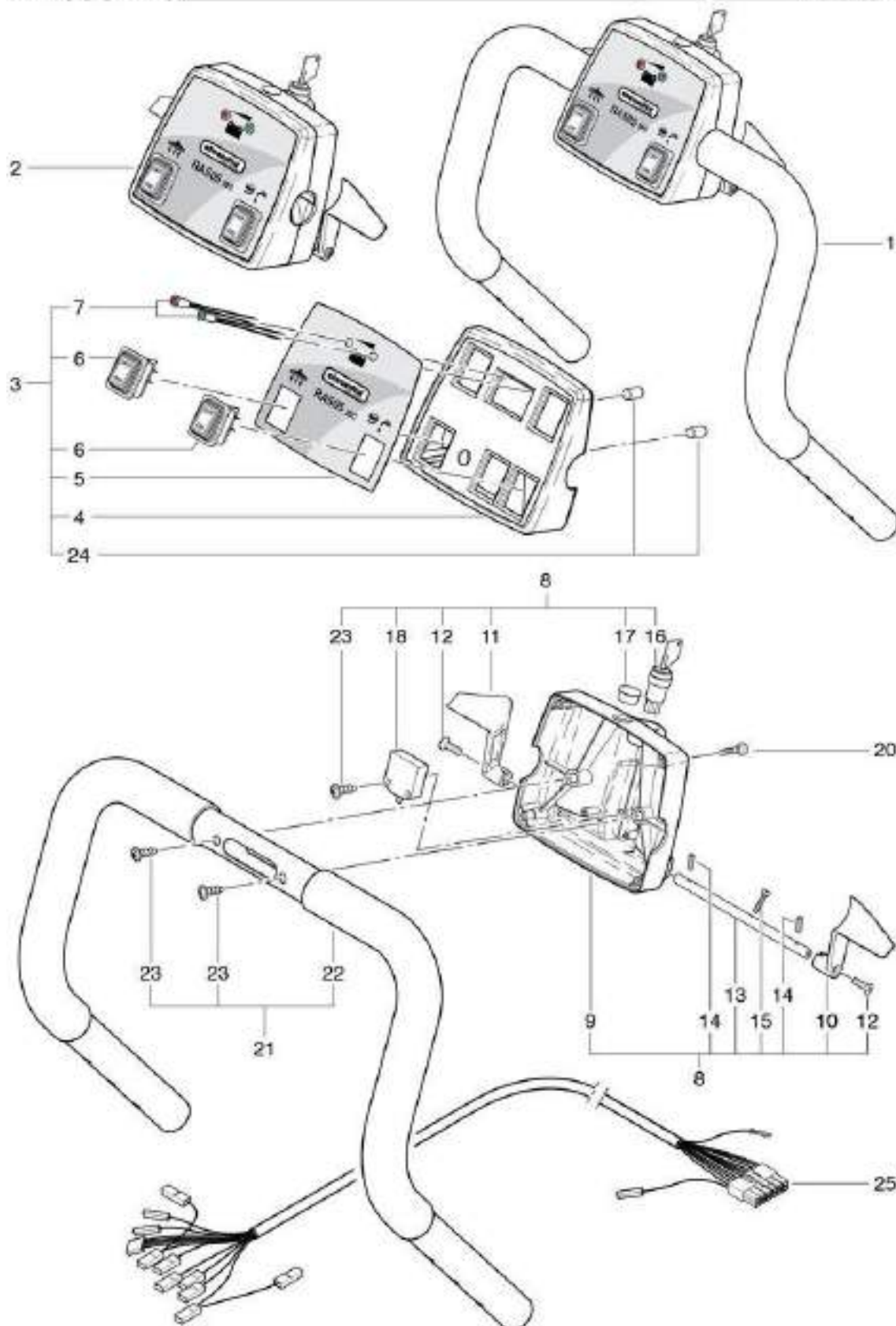
RA 505 IBC

Control unit

Stand: 31.03.2017 18:03



RA 505 IBC



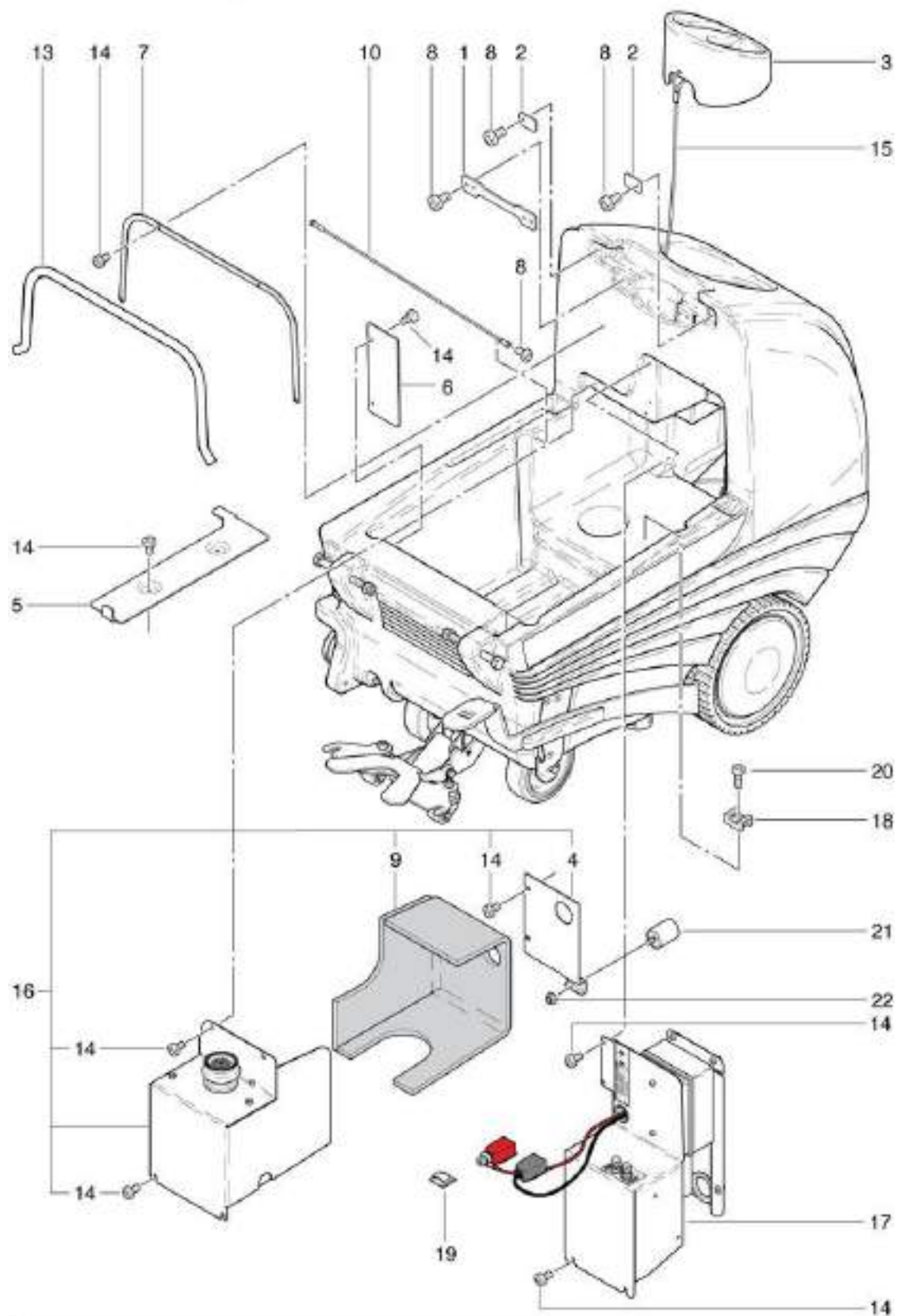
RA 505 IBC

Control unit vacuum motor

Stand: 31.03.2017 18:03



RA 505 IBC/IBCT

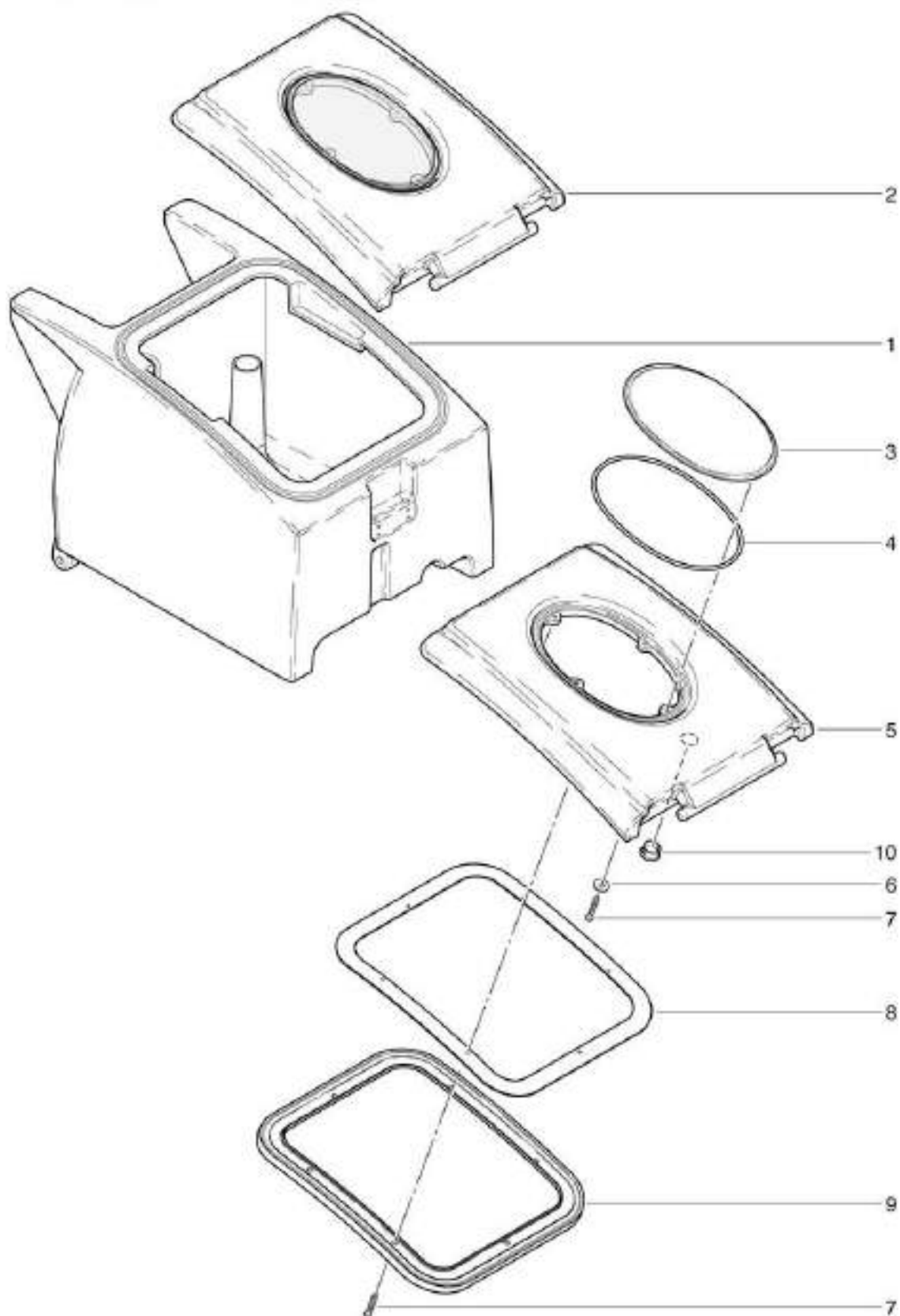


RA 505 IBC

Cover waste water tank

Stand: 31.03.2017 18:02

RA 505/605 IBC/IBCT



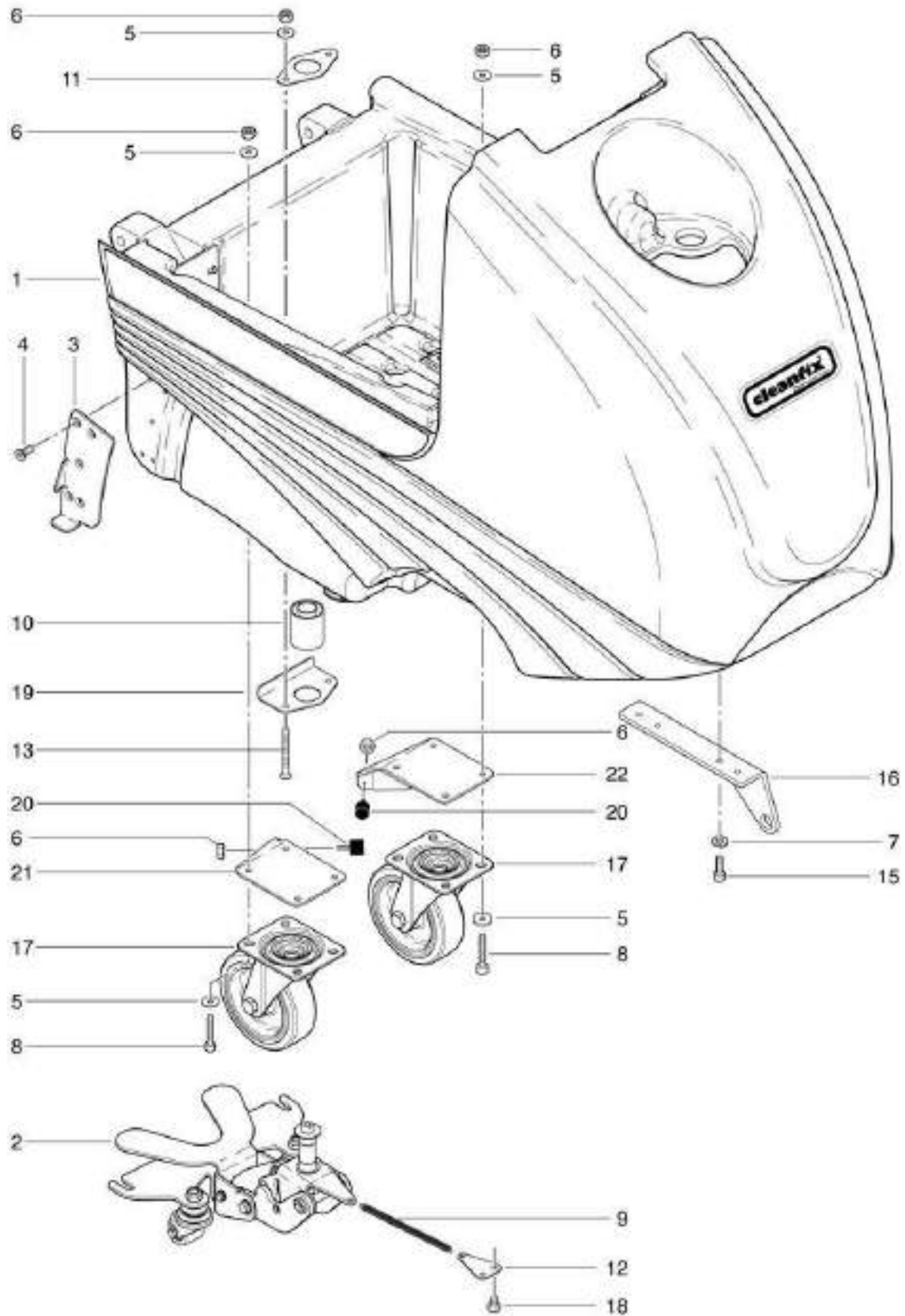
RA 505 IBC

Fresh water tank

Stand: 31.03.2017 18:02



RA 505/605 IBC/IBCT

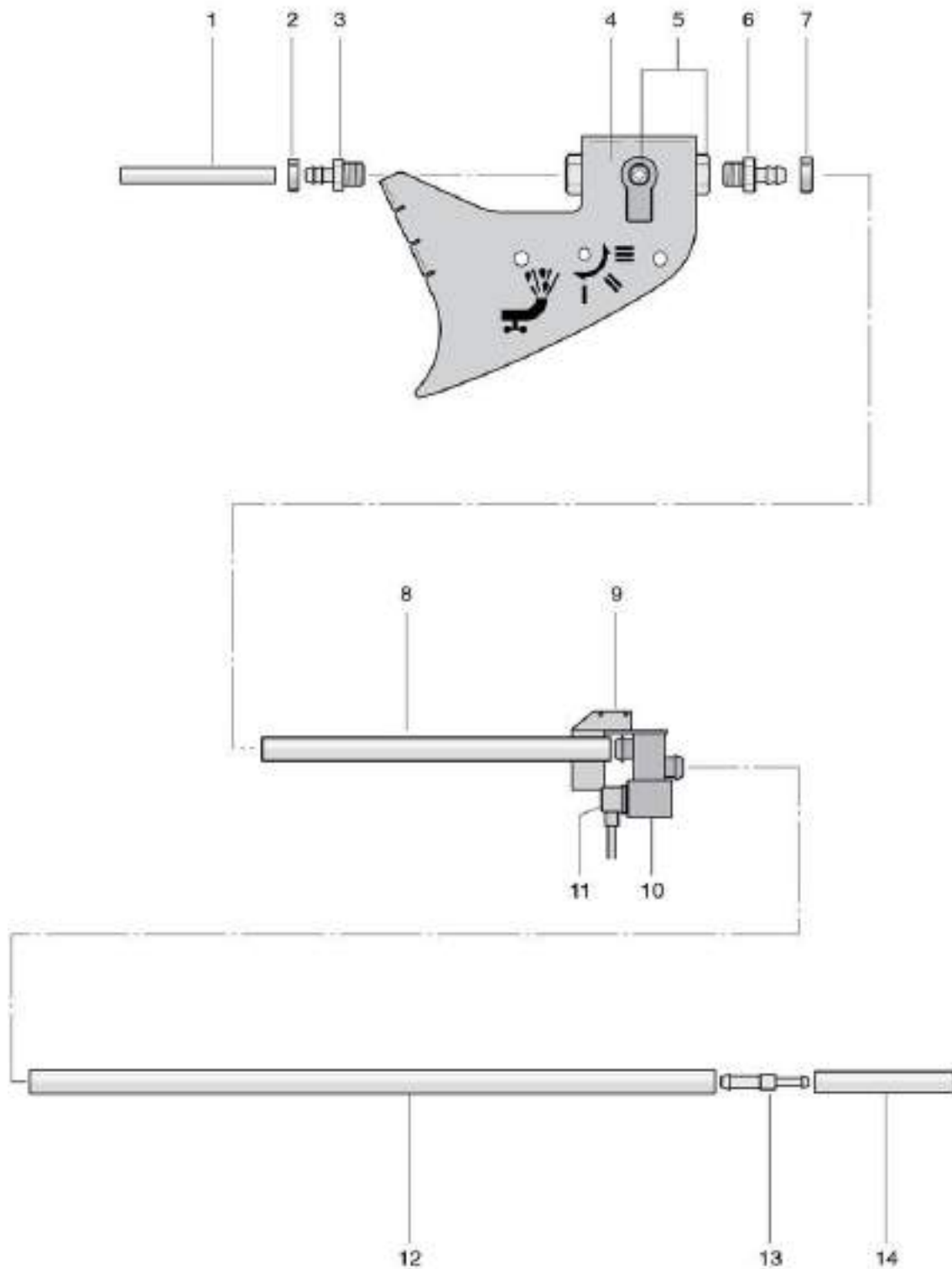


RA 505 IBC

Hosesystem

Stand: 31.03.2017 18:07

RA 505 IBC



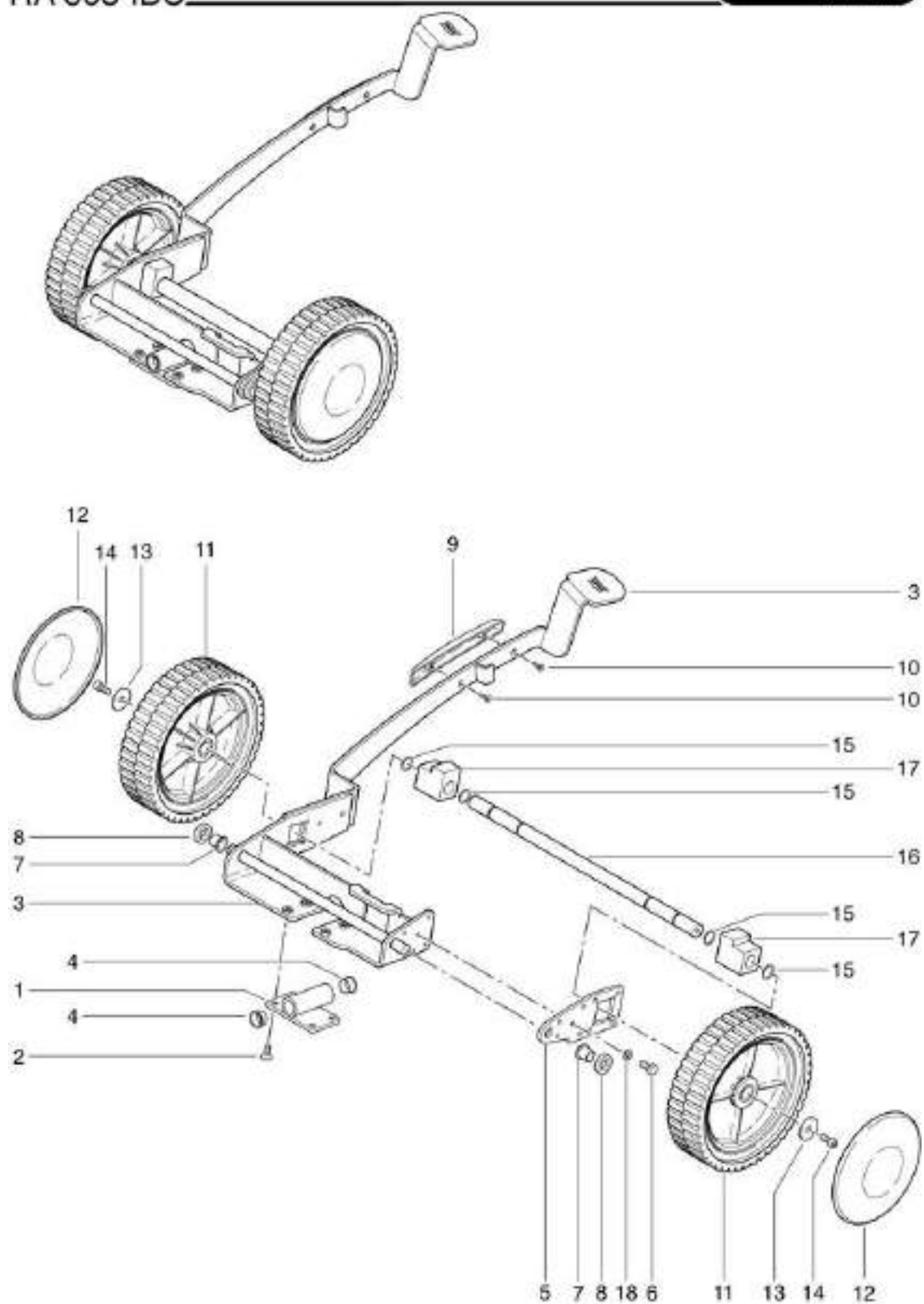
RA 505 IBC

Lift mechanic

Stand: 31.03.2017 18:02



RA 505 IBC



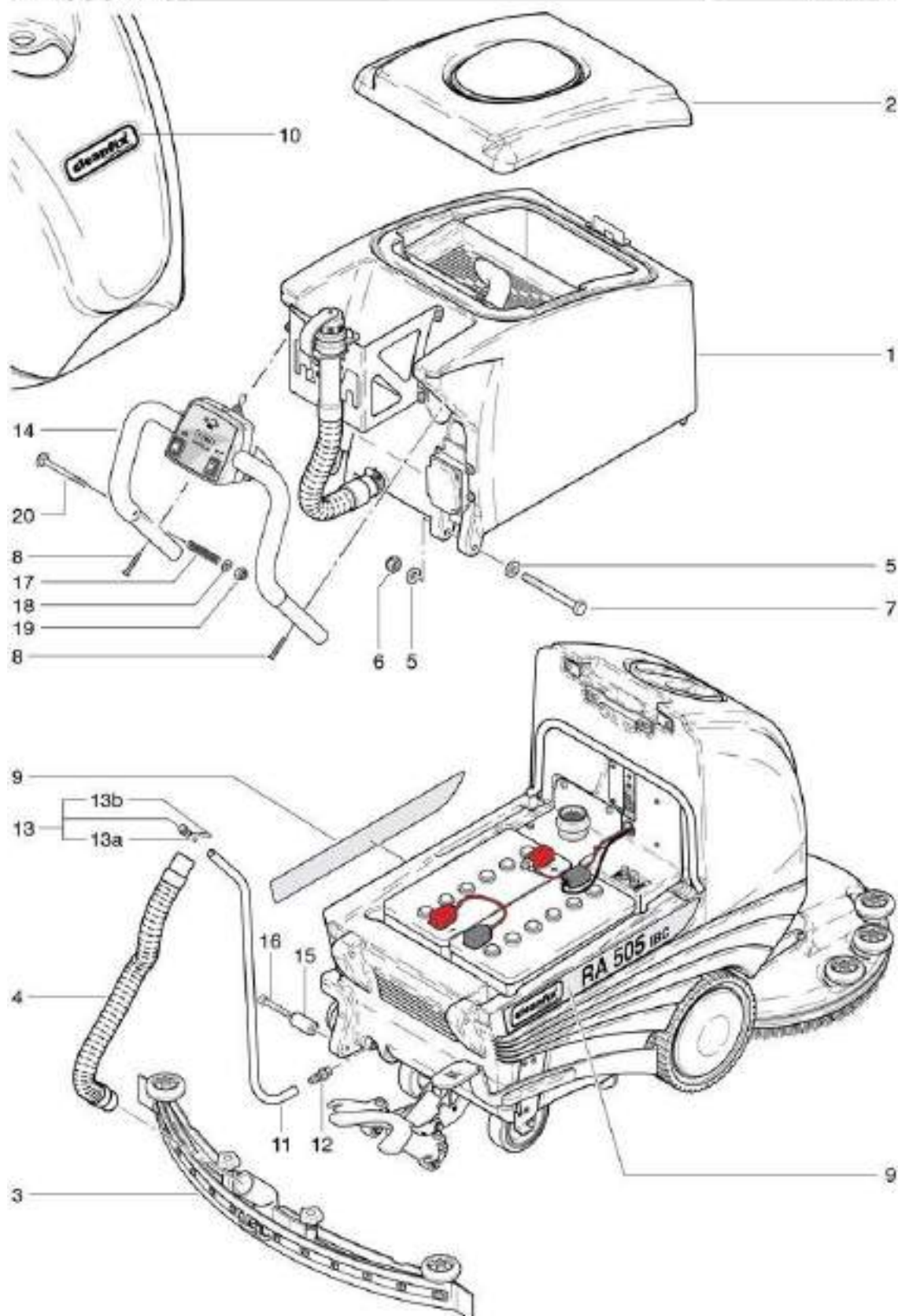
RA 505 IBC

Mounting assemblies

Stand: 31.03.2017 18:03



RA 505 IBC

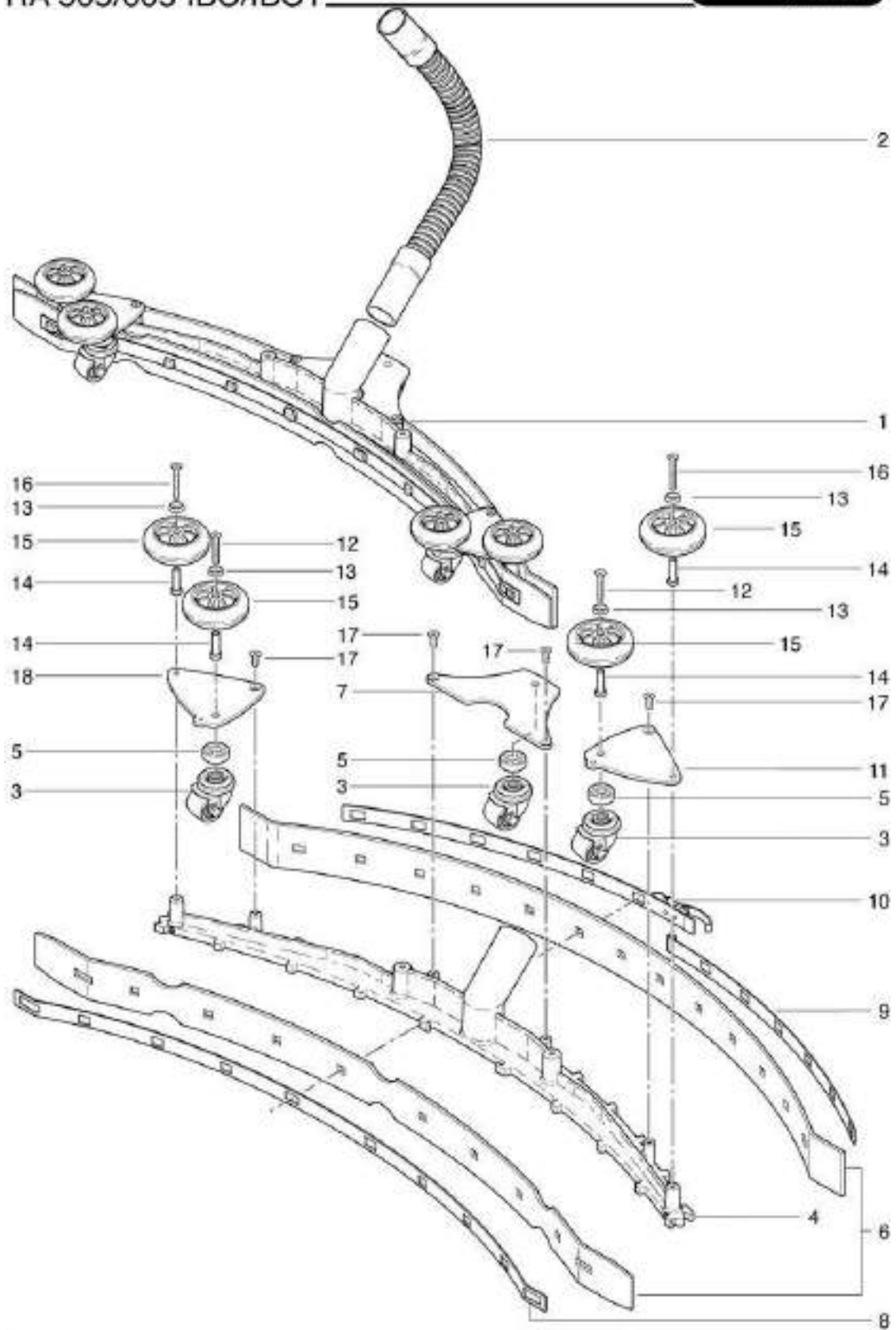


RA 505 IBC

Suction nozzle curved as from no 9532.000

Stand: 31.03.2017 18:07

RA 505/605 IBC/IBCT

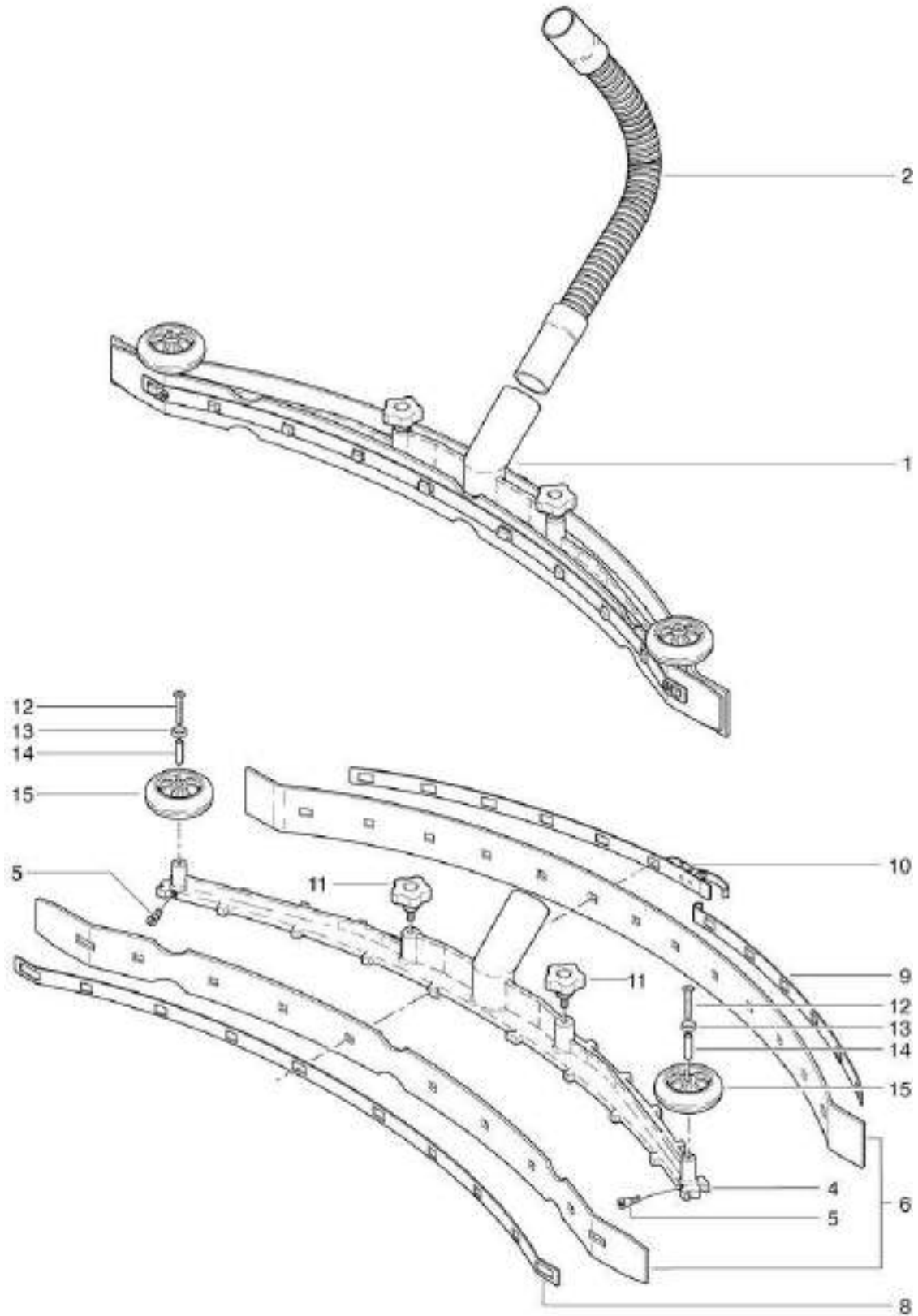


RA 505 IBC

Suction nozzle curved up to machine no. 9528.999

Stand: 31.03.2017 18:06

RA 505/605 IBC/IBCT



RA 505/605 IBC/IBCT - Saugdüse gebogen / Bec de dévolteur courbé
Suction nozzle curved bis Masch. Nr. / à des appareils no. / up to machine no. 9528.999

B 15/16-08.2015

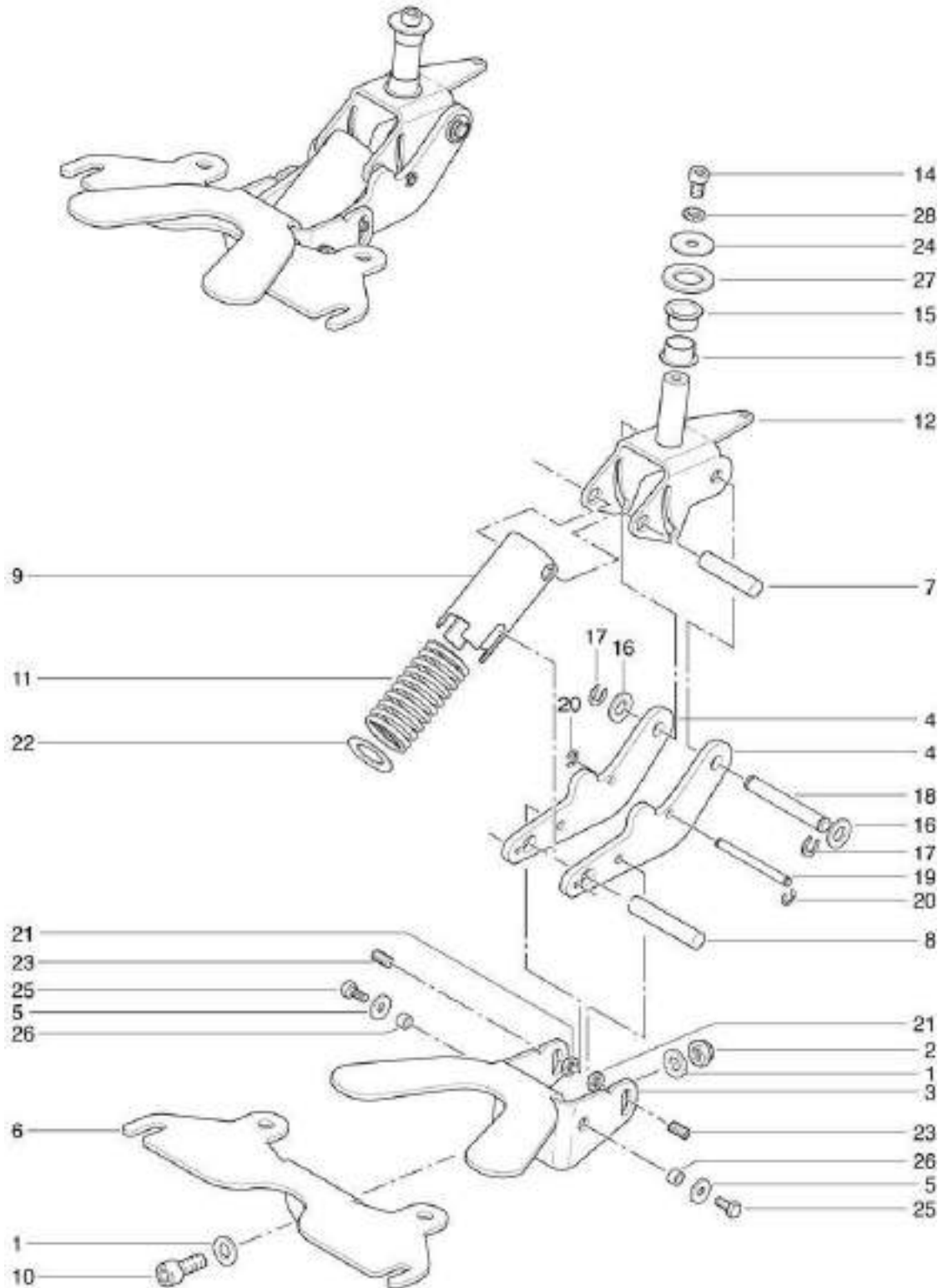
RA 505 IBC

Suction nozzle suspension as from no 9532.000

Stand: 31.03.2017 18:06



RA 505/605 IBC/IBCT

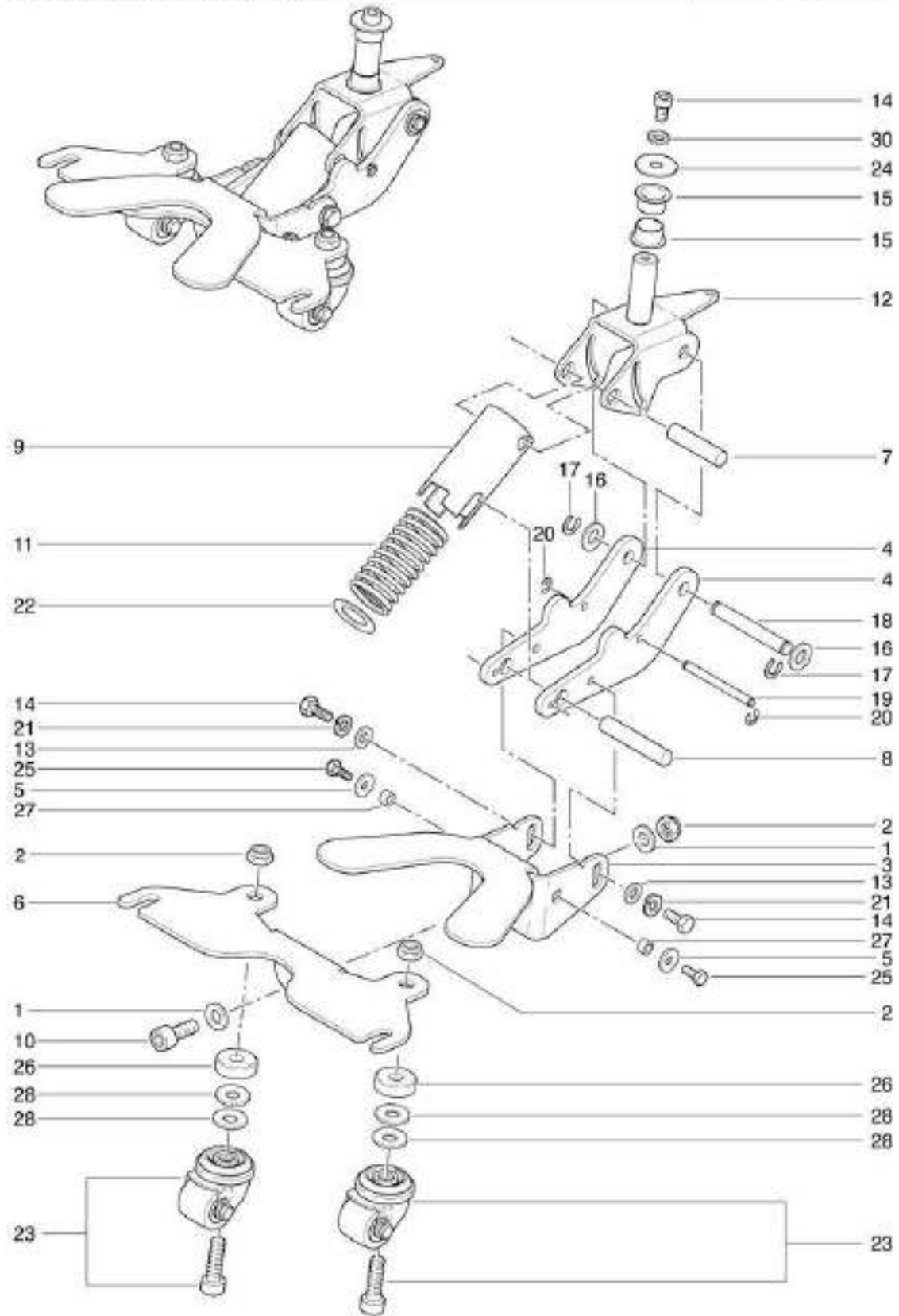


RA 505 IBC

Suction nozzle suspension up to machine no. 9528.999

Stand: 31.03.2017 18:05

RA 505/605 IBC/IBCT



RA 505 IBC/IBCT-Saugdiesenaufhaengung / Suspension de bec de volteur / Suction nozzle B 14/15-08.2015
RA 605 IBCT suspension - bis Masch. Nr. / à des appareils no. / up to machine no. 9528.999

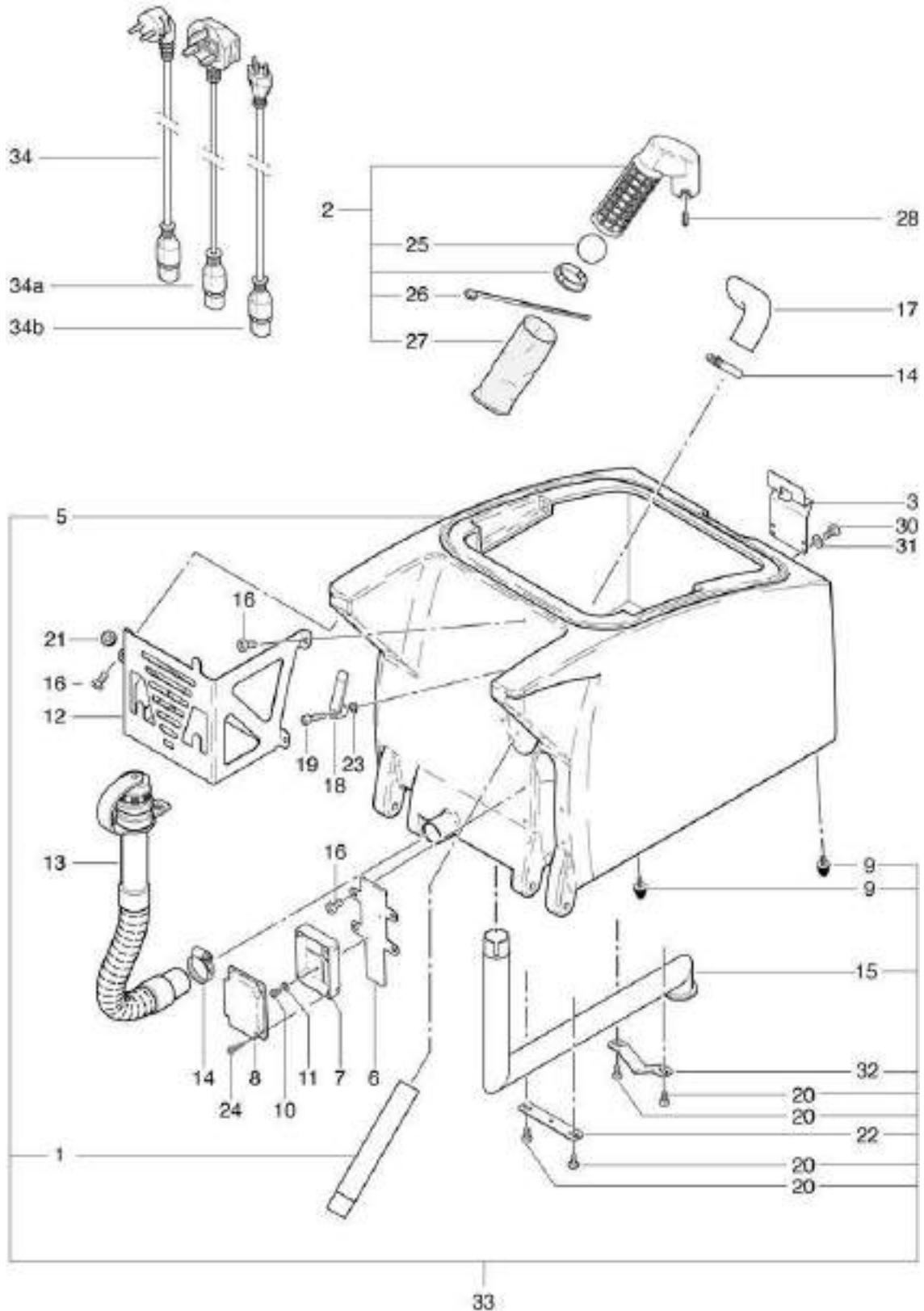
RA 505 IBC

Waste water tank

Stand: 31.03.2017 18:02



RA 505/605 IBC/IBCT



RA 505 IBC

Water distribution

Stand: 31.03.2017 18:04

